

18" Depth, 6" High	MODEL Stainless	MODEL (Choose Color)
◆ 635± CFM @ 1.5 to 4.6 Sones	N1930BP1-SS	N1930BP1-BL or WH
◆ 7" Round Duct	N1936BP1-SS	N1936BP1-BL or WH
	N1942BP1-SS	N1942BP1-BL or WH



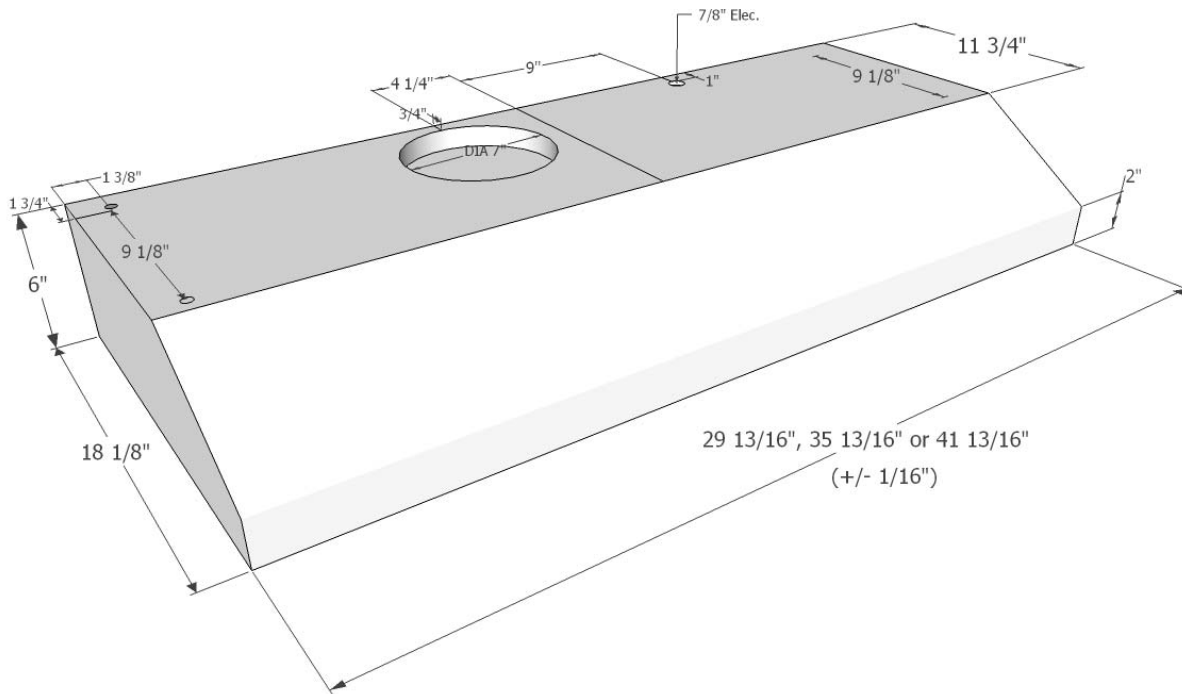
FEATURES:

- ◆ 304 Marine Grade Stainless Steel.
- ◆ Variable Controls.
- ◆ Filters: Aluminum Mesh
- ◆ Center Panel Lighting: LED bulb included.
- ◆ Heat Controlled Thermostat, Fire Safety Controlled. Activates at 130 degrees.
- ◆ Electrical: 115 AC, 60 Hz, 9 Amps. For proper installation, unit must be hard wired. Suggested use with 15 Amp Circuit.
- ◆ Suggested Distance Code: 36" above cooking surface.

OPTIONS:

- ◆ Matte Black, additional charge.
Ex: N1930BP1-MB (Matte Black)
- ◆ Remote wiring, see accessories.

NO Returns on Matte or RAL colors.



SEVEN YEAR, IN HOME, LIMITED WARRANTY, THE BEST IN THE INDUSTRY!

All dimensions are (+/-) 1/16" and are subject to change. Drawings are not to scale.